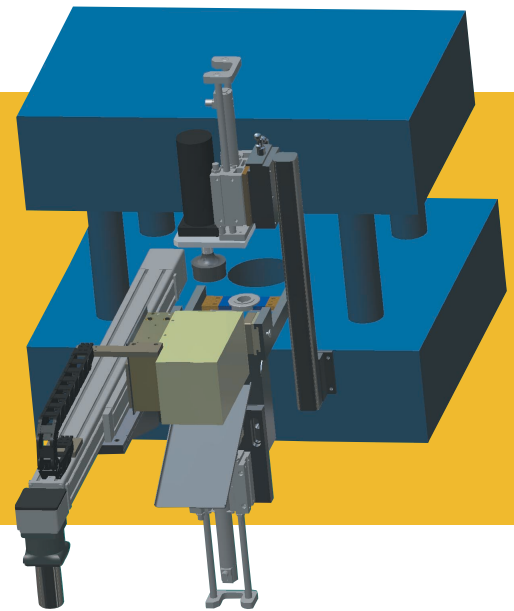


# Model 605A Press Extraction Robot



## S P E C I F I C A T I O N S

<b>Horizontal Stroke</b>	600 mm
<b>Vertical Stroke</b>	25 mm
<b>Gripper Stroke</b>	56 mm
<b>Maximum Part Weight</b>	5 lbs
<b>Minimum Part Diameter</b>	1"
<b>Maximum Part Diameter</b>	6"
<b>Rate</b>	Up to 20 ppm**
<b>Power Requirements</b>	110 VAC, 20 amps
<b>Air Requirements</b>	85 PSIG

\*\*Rate less with deburr option

Specifications subject to change without notice.

## O P T I O N S

- Part Takeaway Conveyor
- Part Deburr Station (single or double sided)
- Rotary Axis for Part Flipover
- Power Blowoff
- Sizing Press Load
- Guarding
- Storage Cart

The 605A extraction robot uses its unique and precise servo driven axis to pick a part, raise it, and place it on the catch chute. An optional rotation device can be used to flip the part. Also, optional brushing equipment can deflash top, bottom or both ends of the part.

## FEATURES

- Quick change gripper and gripper fingers (no tools required)
- Programmable main servo axis
- Teach pendant with two line display, diagnostic alarms, and user screens
- Quick release docking hardware
- Adjustable lowering device with dust collection hopper
- Soft grip technology provides delicate handling of thin wall parts
- On board air valves
- Quick connect cable and air line routing
- Fill in the blank programming software
- Automatic homing routine

# ACE

**AUTOMATED CELLS & EQUIPMENT, INC.**

3435 Enterprise Drive  
Painted Post, New York 14870  
Tel: 607.936.1341  
Fax: 607.936.1531  
www.autocells.com  
Email: info@autocells.com