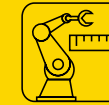


LR Mate 200iD/4SC (Short arm, Clean room)



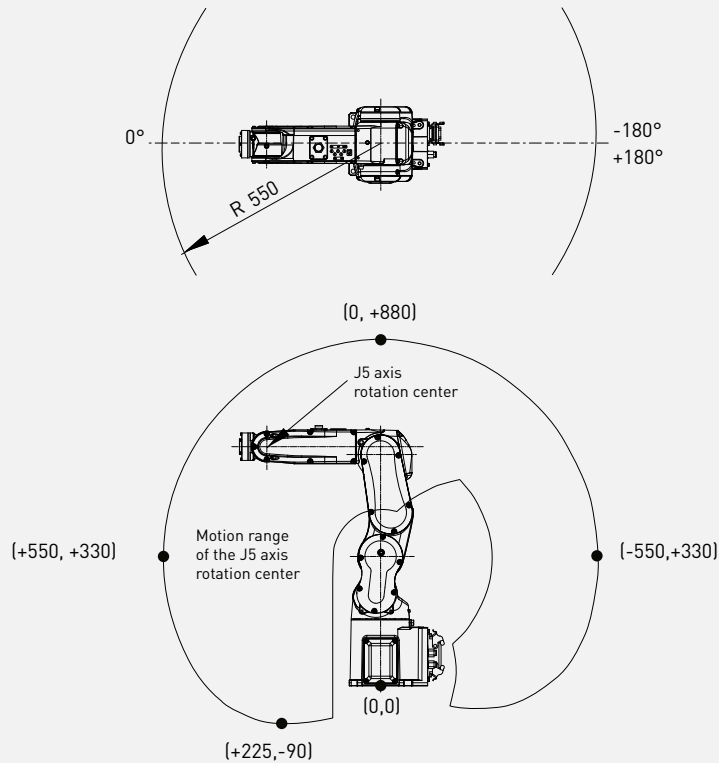
Max. load capacity
at wrist: **4 kg**



Max. Reach:
550 mm

Controlled axes	Repeatability (mm)	Mechanical weight (kg)	Motion range (°)						Maximum speed (°/s)						J4 Moment/ Inertia (Nm/kgm ²)	J5 Moment/ Inertia (Nm/kgm ²)	J6 Moment/ Inertia (Nm/kgm ²)
			J1	J2	J3	J4	J5	J6	J1	J2	J3	J4	J5	J6			
6	± 0.02	20	360	230	402	380	236	720	460	460	520	560	560	900	8.86/0.2	8.86/0.2	4.9/0.067

Working Range



Robot

	LR Mate 200iD/4SC
Robot footprint [mm]	160 x 160
Mounting position Floor	●
Mounting position Upside down	●
Mounting position Angle	●



Controller

	30iB
Open air cabinet	○
Mate cabinet	●
A-cabinet	-
B-cabinet	-
iPendant Touch	●

Electrical connections

Voltage 50/60Hz 3phase [V]	-
Voltage 50/60Hz 1phase [V]	200-230
Average power consumption [kW]	0.5

Integrated services

Integrated signals on upper arm In/Out	6/2
Integrated air supply	1

Environment

Acoustic noise level [dB]	64.7
Ambient temperature [° C]	0-45

Protection

Body standard/optional	IP67
Wrist & J3 arm standard/optional	IP67
Clean room class (ISO Class 4)	●

● standard ○ on request - not available () with hardware and/or software option